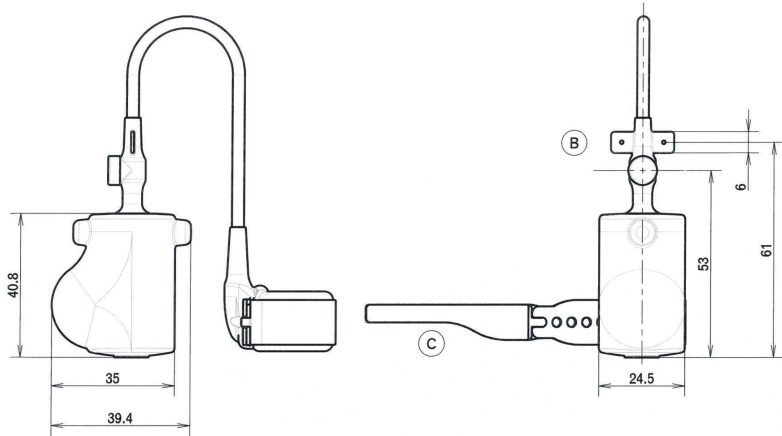


# CATALOG OF PRODUCTS 2020



# **| INCONTINENCE**

## PRE-FILLED ARTIFICIAL URINARY SPHINCTER



**NAME: ARTIFICIAL URINARY SPHINCTER**  
**REF: ZSI 375 PF**

### DESCRIPTION:

The Artificial Urinary Sphincter ZSI 375 PF is a long-term implantable medical device, designed to correct urinary incontinence secondary to an intrinsic urinary sphincter deficiency. This Artificial Sphincter is composed of a Cuff connected by kink-resistant tubing to a Pump. The Cuff is placed around the urethra and a Pump is placed in the scrotum.

### SPECIFICATIONS:

- Ready to be implanted, no preparation.
- Pre-connected.
- Pre-filled with saline solution.
- Adjustable Cuff from 4 to 6 cm.
- Cuff closure with buttons.
- Adjustable pressure from 0 cm H<sub>2</sub>O to over 120 cm H<sub>2</sub>O. ZSI 375 PF is provided with a standard issued pressure of 90 cm H<sub>2</sub>O (90 +/- 5 cm H<sub>2</sub>O). The standard issued pressure can be increased or decreased during implantation and/or during sphincter lifetime, injecting or removing saline solution from the Pressure Regulating Balloon PRB/Compensation Pouch.
- Pressure can be controlled with pressure sensor at any time.
- MTBF (Mean Time Before Failure): 10 years.
- MCBF (Mean Cycle Before Failure): 30 000 cycles.
- Provided with two Huber needles.

The Pressure Sensor to control the issued pressure is not included in the ZSI 375 PF box.

### INSTRUCTION FOR USE:

The patient presses and releases the bulb button of the Pump to open the Cuff and urinate. The closure of the Cuff is automatic after 2 to 3 minutes.

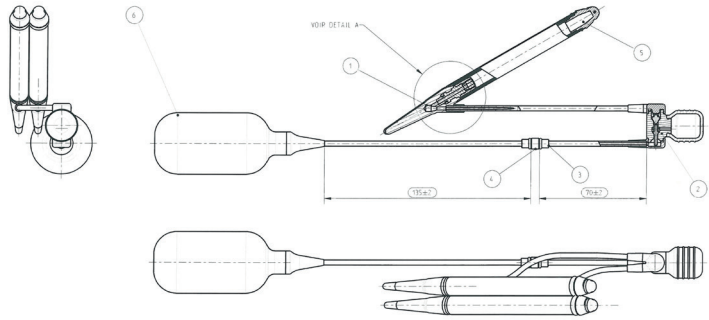
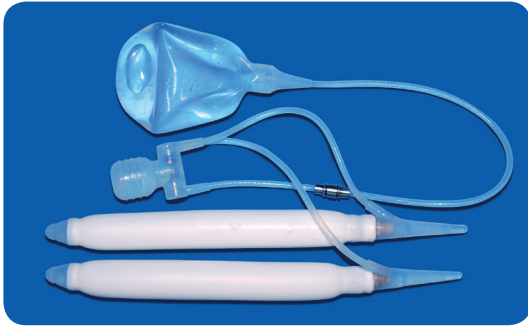






**ERECTILE  
DYSFUNCTION**

## INFLATABLE PENILE IMPLANT



**NAME: INFLATABLE PENILE IMPLANT**  
**REF: ZSI 475**

### DESCRIPTION:

The Inflatable Penile Implant ZSI 475 is designed to treat erectile dysfunction. The device is composed of two inflatable cylinders connected to a manual pump and a reservoir. The cylinders are implanted in the corpus cavernosa, the Pump is implanted in the scrotum and the reservoir is implanted in the pelvis.

### SPECIFICATIONS:

- Implant designed for corpus cavernosa from 12 to 24 cm.
- Inflatable parts of 13 cm, 16 cm and 19 cm included in the box.
- PVP coated.
- Assembly and filling at surgical theatre.
- Manual Pump to inflate and deflate the device.
- MTBF: 10 years.
- MCBF > 3000 cycles (3 erections a week, 52 weeks per year, during 10 years x2).

### Accessories:

- Proximal extensors 10, 20 and 30 mm.
- Distal extensors 10 and 20 mm.
- Two set of connectors.
- Two needles and threads.
- Two special connectors to fill the device.
- A Ruler/Introducer.
- A spatula.

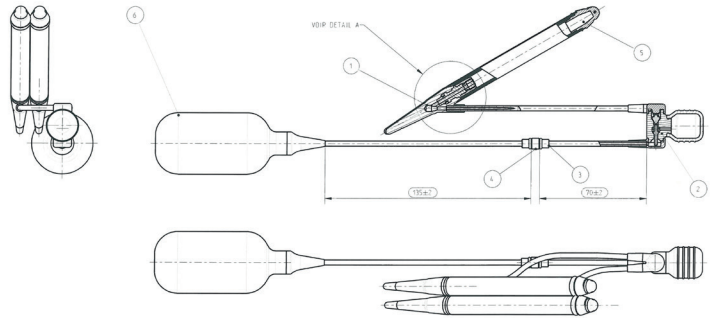
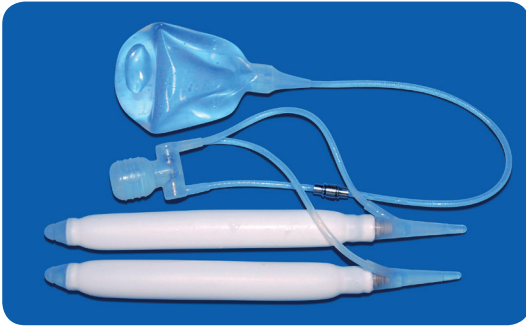
Dilators and/or cavernotomes are not included in the box.

### INSTRUCTION FOR USE:

Erection: The patient presses and releases several times the Pump Button to fill the inflatable cylinders. After sexual intercourse the patient presses the Pump valve to deflate the cylinders.



## INFLATABLE PENILE IMPLANT FOR LARGE SIZE



**NAME: INFLATABLE PENILE IMPLANT BIG SIZE**  
**REF: ZSI 475-22cm**

### DESCRIPTION:

The Inflatable Penile Implant ZSI 475-22cm is designed to treat erectile dysfunction in patients with big penis. It is composed of two inflatable cylinders connected to a manual pump and a reservoir. The cylinders are implanted in the corpus cavernosa, the Pump is implanted in the scrotum and the reservoir is implanted in the pelvis.

### SPECIFICATIONS:

- Designed for corpus cavernosa from 21 to 25 cm.
- 22 cm inflatable cylinders.
- PVP coated.
- Assembly and filling at surgical theatre.
- Manual Pump to inflate and deflate the device.
- MTBF: 10 years.
- MCBF > 3000 cycles (3 erections a week, 52 weeks per year, during 10 years x2).

### Accessories:

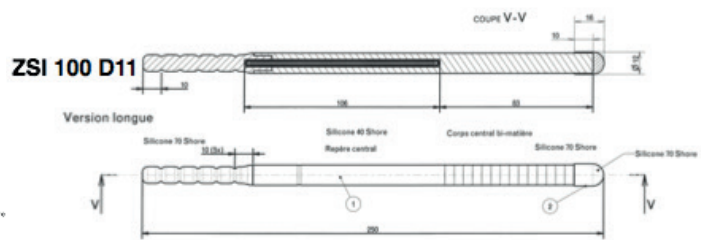
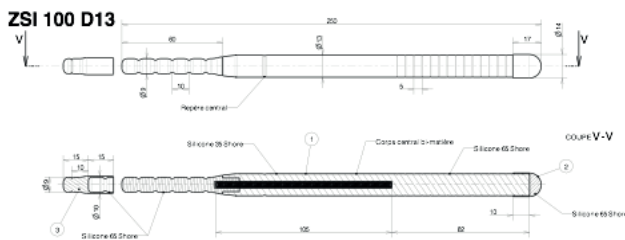
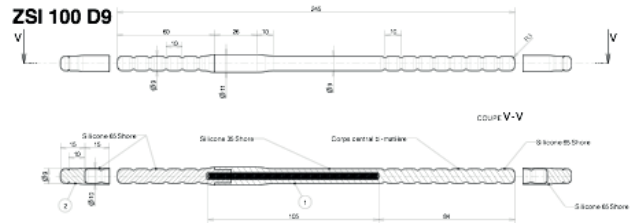
- Proximal extensors of 10, 20 and 30 mm.
- Two set of connectors.
- Two needles and threads.
- Two special connectors to fill the device.
- A Ruler/Introducer.
- A spatula.

Dilators or/and cavernotomes are not included in the box.

### INSTRUCTION FOR USE:

**Erection:** The patient presses and releases several times the Pump Button to fill the inflatable cylinders. After sexual intercourse the patient presses the Pump valve to deflate the cylinders.

## MALLEABLE PENILE IMPLANT



**NAME: MALLEABLE PENILE IMPLANT**  
**REF: ZSI 100 D9, ZSI 100 D11, ZSI 100 D13**

### DESCRIPTION:

The Malleable Penile Implant ZSI 100 is designed to treat erectile dysfunction. It is composed of two malleable cylinders made of silicone with inner silver cable. It is implanted in the corpus cavernosa.

### SPECIFICATIONS:

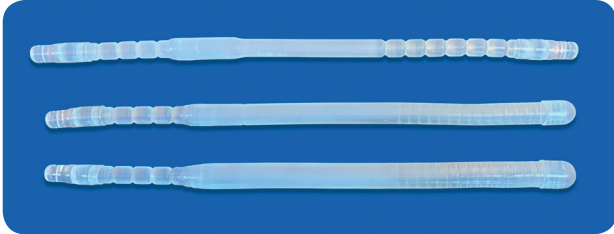
- PVP coated.
- For corpus cavernosa from 120 to 250 mm:
  - Maximal length: 250mm.
  - Minimal length (after cutting): 120 mm.
- ZSI 100 D09: Diameter 09 mm.
- ZSI 100 D11: Diameter 11 mm.
- ZSI 100 D13: Diameter 13 mm.
- Extensors of 1.5 cm. Minimal length 1 cm after cutting.
- MCBF (Mean Cycle Before Failure): 14'000 Cycles.

Ruler and Dilators are not included in the box.

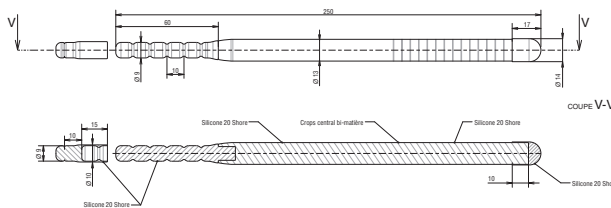
### INSTRUCTION FOR USE:

Erection: The patient moves up his penis with his hand upward.  
After sexual intercourse he moves it downwards.

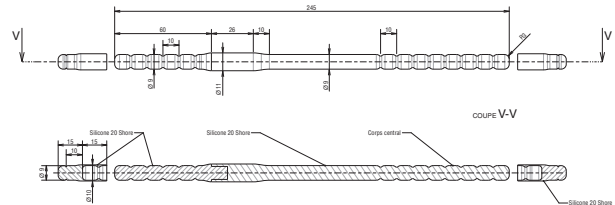
## SOFT PENILE IMPLANT CABLE FREE



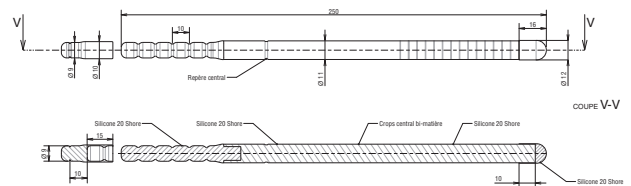
**ZSI 100 D13 CF**



**ZSI 100 D9 CF**



**ZSI 100 D11 CF**



**NAME: MALLEABLE PENILE IMPLANT CABLE FREE**  
**REF: ZSI 100 D9 CF, ZSI 100 D11 CF, ZSI 100 D13 CF**

### DESCRIPTION:

The Soft Penile Implant cable free ZSI 100 CF is designed to treat erectile dysfunction or to keep space free of fibrosis during healing after penile implant infection. It is composed of two malleable cylinders made of silicone. It is implanted in the corpus cavernosa.

### SPECIFICATIONS:

- PVP coated against infection.
- For corpus cavernosa from 120 to 250 mm:
  - Maximal length: 250mm.
  - Minimal length (after cutting): 120 mm.
- ZSI 100 D09 CF: Diameter 09 mm.
- ZSI 100 D11 CF: Diameter 11 mm.
- ZSI 100 D13 CF: Diameter 13 mm.
- Extensors of 1.5 cm. Minimal length 1 cm after cutting.
- MCBF (Mean Cycle Before Failure): 100'000 Cycles.

Ruler and Dilators are not included in the box.

### INSTRUCTION FOR USE:

ZSI 100 CF to treat erectile dysfunction: the patient can get a flexible penis with erection stiff enough to penetrate the vagina. Open the corpus cavernosa and make a space with dilator between inner corpus cavernosa wall and erectile tissue. Insert ZSI 100 CF into each corpus cavernous and close.

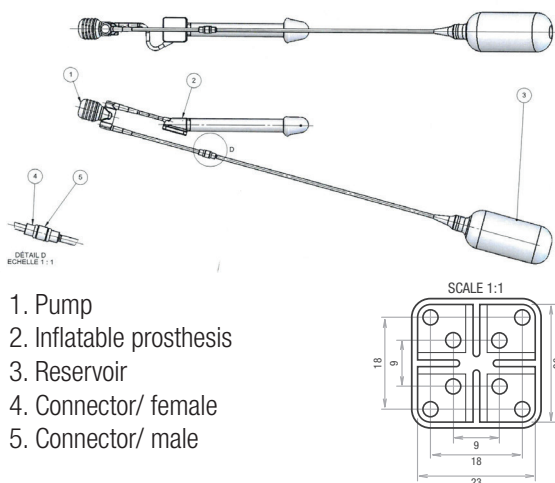
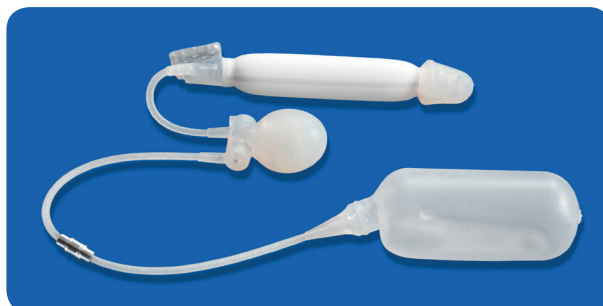
ZSI 100 CF to keep a space into the corpus cavernous: in case of inflatable penile implant removal for infection, the surgeon can keep the space into the corpus cavernous with the ZSI 100 CF. After 3 months or 6 months, the new inflatable penile implant insertion will be easier thanks to the ZSI 100 CF. Note that the ZSI 100 D9 CF/ ZSI 100 D11 CF/ ZSI 100 D13 CF get a PVP coating to fight against infection.





**GENDER  
REASSIGNMENT**

## INFLATABLE PENILE IMPLANT FOR PHALLOPLASTY



### NAME INFLATABLE PENILE IMPLANT FOR PHALLOPLASTY

REF: ZSI 475 FTM L120, ZSI 475 FTM L150, ZSI 475 FTM L180, ZSI 475 FTM L210

### DESCRIPTION:

The Inflatable Penile Implant ZSI 475 FTM is designed to produce erection in the phalloplasty.

It is composed of one inflatable cylinder connected to a manual pump and a reservoir.

The inflatable cylinder is implanted in the phalloplasty, the Pump is implanted in the scrotum and the reservoir is implanted in the pelvis.

### SPECIFICATIONS:

- Sturdy fixation on pubic bone.
- For phalloplasty from 11 cm to 22 cm.
- PVP coated.
- ZSI 475 FTM L120: Length 120 mm Diameter 21 mm, for phalloplasty 110 to 130 mm.
- ZSI 475 FTM L150: Length 150 mm Diameter 21 mm, for phalloplasty 140 to 160 mm.
- ZSI 475 FTM L180: Length 180 mm Diameter 21 mm, for phalloplasty 170 to 190 mm.
- ZSI 475 FTM L210: Length 210 mm Diameter 21 mm, for phalloplasty 200 to 220 mm.
- Assembly and filling at surgical theatre.
- Manual Pump to inflate and deflate the device.
- MTBF: 10 years.
- MCBF > 3000 cycles (3 erections a week, 52 weeks per year, during 10 years x2).

### Accessories:

- Two sets of connectors.
- Two needles and threads.
- Two connectors to fill the device.
- A Ruler/Introducer.

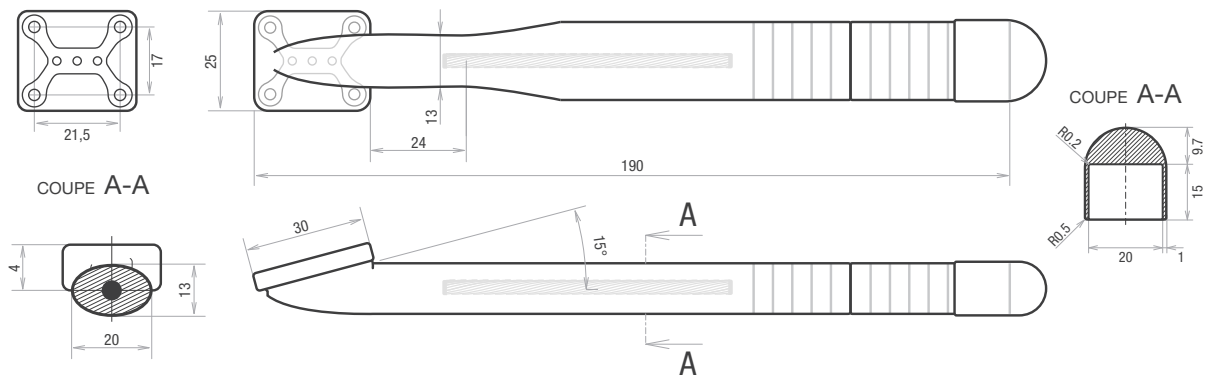
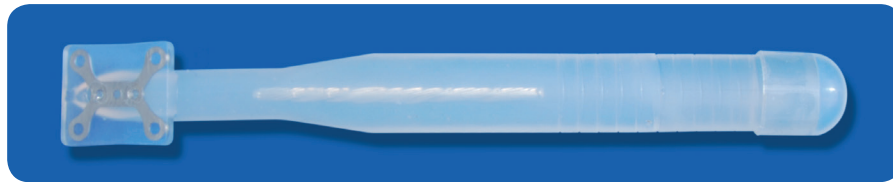
Dilators are not included in the box.

### INSTRUCTION FOR USE:

Erection: The patient presses and releases several times the Pump to fill the inflatable cylinders.

After sexual intercourse the patient presses the Pump valve to deflate the cylinders.

## MALLEABLE PENILE IMPLANT FOR PHALLOPLASTY



**NAME: MALLEABLE PENILE IMPLANT FOR PHALLOPLASTY**  
**REF: ZSI 100 FTM**

### DESCRIPTION:

The Malleable Penile Implant ZSI 100 FTM is designed to produce phalloplasty erections. It is one malleable cylinder made of silicone with inner silver cable. It is implanted in the phalloplasty.

### SPECIFICATIONS:

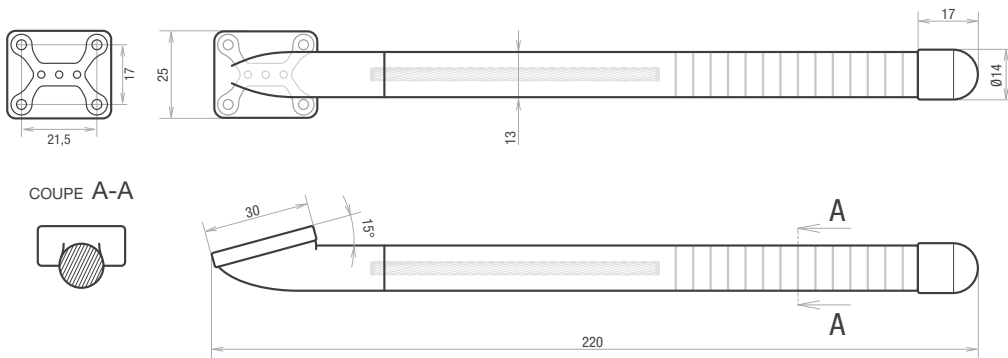
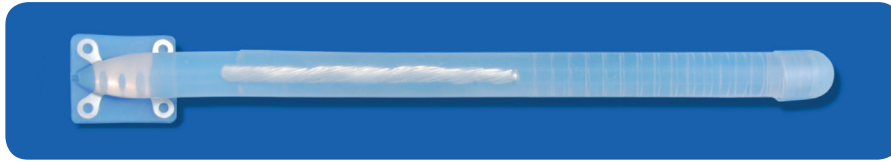
- Sturdy fixation on pubic bone.
- PVP coated.
- Maximal length 250 mm.
- Minimal length (after cutting): 130 mm.
- Width: 22 mm.
- Malleable proximal part to fit to pubic bone curves.
- MCBF (Mean Cycle Before Failure): 10'000 Cycles.
- Removing the cable it can be reduce < 130 mm.

Ruler and Dilators are not included in the box.

### INSTRUCTION FOR USE:

Erection: The patient moves up his neo-penis with his hand.  
After sexual intercourse he moves it downwards.

## NARROW MALLEABLE PENILE IMPLANT FOR PHALLOPLASTY



**NAME: MALLEABLE PENILE IMPLANT D13 FOR PHALLOPLASTY**  
**REF: ZSI 100 FTM D13**

### DESCRIPTION:

The Malleable Penile Implant ZSI 100 FTM D13 is designed to produce narrow phalloplasty erections. ZSI 100 FTM D13 is proposed when ZSI 100 FTM of 22 mm width is too large. It is one malleable cylinder made of silicone with inner silver cable. It is implanted in the phalloplasty.

### SPECIFICATIONS:

- Sturdy fixation on pubic bone.
- PVP coated.
- Maximal length 250 mm.
- Minimal length (after cutting): 130 mm.
- Width: 13 mm.
- Malleable proximal part to fit to pubic bone curves.
- MCBF (Mean Cycle Before Failure): 10'000 Cycles.
- Removing the cable it can be reduce < 130 mm.

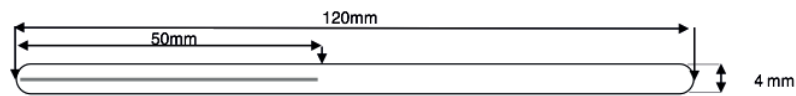
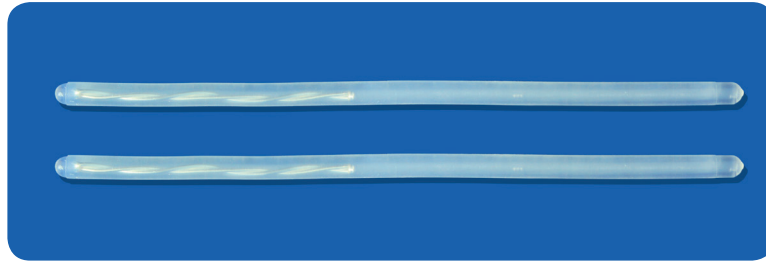
Ruler and Dilators are not included in the box.

### INSTRUCTION FOR USE:

Erection: The patient moves up his neo-penis with his hand.  
After sexual intercourse he moves it downwards.



## MALLEABLE PENILE IMPLANT FOR METOIDIOPLATY



**NAME: MALLEABLE PENILE IMPLANT FOR METOIDIOPLASTY**  
**REF: ZSI 100 D4**

---

**DESCRIPTION:**

The Malleable Implant ZSI 100 D4 is designed to be inserted in the hypertrophied corpus cavernosa of the clitoris; it reduces potential shrieking of the metoidioplasty, and adds a bit of length and rigidity.

**SPECIFICATIONS:**

- PVP coated.
- For clitoral corpus cavernosa from 50 mm to 120 mm after cutting.
- Diameter 04 mm.

Ruler and Dilators are not included in the box.

**INSTRUCTION FOR USE:**

The metoidioplasty can be moved upward and downward.

## ZSI 200 NS EXPANDER - VAGINAL STENT



**NAME: ZSI 200 NS EXPANDER**  
**REF: ZSI 200 NS L90 / ZSI 200 NS L120**

---

**DESCRIPTION:**

After a vaginoplasty there is a risk of vaginal stenosis. The vaginal stent can reduce this risk.

**SPECIFICATIONS:**

- The device is an inflatable cylinder with a clamp and a connector.
- The device is made of biocompatible silicone.
- Lengths available: 90 mm & 120 mm
- Diameter inflated: 40 mm

**INSTRUCTION FOR USE:**

Measure the length of the vagina. Choose the size of the device (90 mm or 120 mm). Open the packaging. Don't use sharp tool. Insert the device in the vagina and fill it (90 mm = 100 ml, 120 mm = 130 ml) and clamp. Unclamp and empty the device to remove it.







**ACCESSORIES  
AND  
SAMPLES**

## SCOTT RETRACTOR WITH BIG HOOKS



**NAME: DISPOSABLE GALAXY II Snowman Blunt Kit 12mm,  
Disposable Retractors manufactured by June Medical  
REF: JUNE3000B12  
Sold by box of 10 Scott retractors + 8 blunt stays of 12mm**

---

**DESCRIPTION:**

Scott retractor can be used for male or female surgical procedure. The stays stretch easily the tissues.

**Examples of use in male:** Artificial sphincter insertion, Penile implant insertion, etc.

**Examples of use in Female:** Sling and mesh insertion, Prolapses, etc.

**SPECIFICATIONS:**

One box of ten sets.

The set: one Scott retractor + 8 blunt stays of 12 mm

## SCOTT RETRACTOR WITH SMALL HOOKS



**NAME:** DISPOSABLE GALAXY II Snowman Blunt Kit 5 mm,  
Disposable Retractors manufactured by June Medical  
**REF:** JUNE3000B5  
**Sold by box of 10 Scott retractors + 8 blunt stays of 5 mm.**

---

**DESCRIPTION:**

Scott retractor can be used for male or female surgical procedure. The stays stretch easily the tissues.

**Examples of use in male:** Artificial sphincter insertion, Penile implant insertion, etc.

**Examples of use in Female:** Sling and mesh insertion, Prolapses, etc.

**SPECIFICATIONS:**

One box of ten sets.

The set: one Scott retractor + 8 blunt stays of 5 mm

## FURLOW MEASURER/INTRODUCER

### FURLOW MEASURER

One piece per box  
Reusable, Reference H11640R



**NAME:** FURLOW HEELAY

**REF:** Heelay H11640R

#### DESCRIPTION:

Ruler to measure the corpus cavernosa length.

Ruler + piston to pierce the glans with a needle from the inner corpus cavernosa.

#### SPECIFICATIONS:

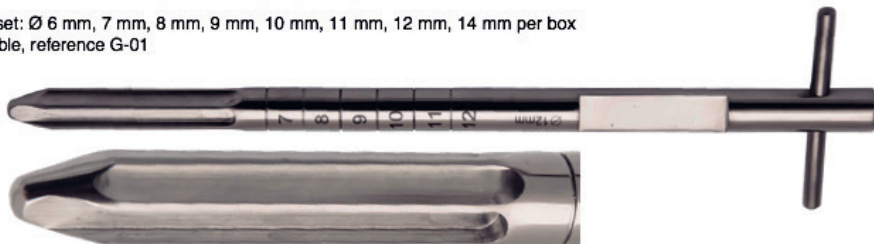
One piece per box.

Ruler: 160 mm.

## SET OF CAVERNOTOMES

### DOUBLE BLADE CAVERNOTOMES

Qty 1 set: Ø 6 mm, 7 mm, 8 mm, 9 mm, 10 mm, 11 mm, 12 mm, 14 mm per box  
Reusable, reference G-01



**NAME:** SET OF CAVERNOTOMES

**REF:** G-01 Double blade Cavernotomes

#### DESCRIPTION:

A set of 8 cavernotomes used to dilate corpus cavernosa with fibrosis.



## MEASURER

### CORPORA T HANDLE MEASURER

Qty 1- Ø 8 mm - Blunt  
Reusable, reference G-03



**NAME:** Measurer

**REF:** G-03 Corpora T handle Measurer

---

**DESCRIPTION:**

To measure corpus cavernosum length

## DILATORS

### CORPORA DILATOR

Qty 1 set: Ø 8 mm, 9 mm, 10 mm, 11 mm, 12 mm, 13 mm, 14 mm  
Reusable, reference G-04



**NAME:** Brooks Dilators

**REF:** G-04 Corpora Dilators

---

**DESCRIPTION:**

A set of 7 Brooks dilators to dilate the corpus cavernosa

**SAMPLES**



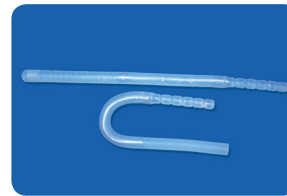
**Sample, Artificial Urinary Sphincter ZSI 375 PF,**  
One sample of artificial Urinary Sphincter



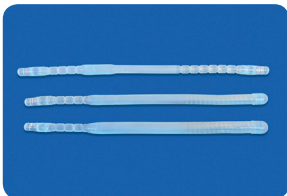
**Sample, Penile Implant ZSI 475,**  
pair of inflatable cylinders, a pump and a reservoir.



**Sample, Penile Implant ZSI 475 FTM,**  
one inflatable cylinder, a (standard) pump, a reservoir



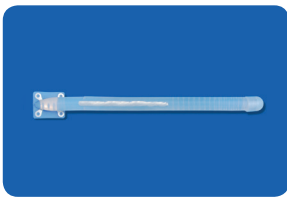
**Sample, Penile Implant ZSI 100,**  
two standard rods of D11



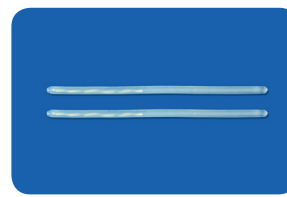
**Sample, Penile Implant ZSI 100 CF**  
3 rods, 1\*D9 + 1\*D11 + 1\*D13



**Sample, Penile Implant ZSI 100 FTM,**  
One malleable rod + one glans, placed in one box.



**Sample, ZSI 100 FTM D13 NARROW**  
One malleable rod + one glans, placed in the box



**Sample ZSI 100 D4, implant for metoidioplasty,**  
A pair of malleable rods



**Sample ZSI 200 NS Expander**  
(Vaginal stent for vaginoplasty).



**Sample, Silicone Bleu Pump**  
One pump unit of the sphincter, with explanation card attached





ZSI, Zephyr Surgical Implants sàrl  
Route des jeunes 4bis, CH-1227, les acacias-Genève, Switzerland  
Tel: +41 22 342 31 57- email : [contact@zsimplants.ch](mailto:contact@zsimplants.ch)